



**SKYWORKS®**

**PRODUCT SUMMARY**

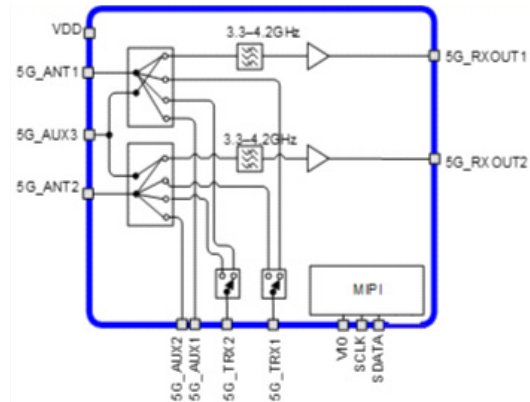
# SKY53761-11: Sky5® 5G NR n77/78 Diversity Receive Module

## Applications

- 5G NR sub-6 GHz smartphones and tablets
- 5G NR sub-6 GHz IoT modules

## Features

- Low insertion loss
- High-performance multi-mode variable gain Low Noise Amplifiers (LNAs)
- Integrated SRS support through TRX port
- Integrated MIPI v3.0 interface
- Small (2.8 × 2.6 × 0.7 mm [max]) 21-lead MCM package (MSL3, 260 °C per JEDEC J-STD-020)



206474-001

**Figure 1. SKY53761-11 Block Diagram**

## Description

The SKY53761-11 is a highly integrated LNA filter module that enables users to support 5G New Radio (NR) bands in the 3.3 to 4.2 GHz frequency range. The SKY53761-11 is part of our Sky5® product portfolio.

It utilizes the latest advanced SOI process technologies to achieve leading high-bandwidth, low noise figure (NF) LNA performance in a small package footprint.

SKY53761-11 integrated multi-mode, variable gain LNAs work with all 5G chipsets. The device also integrates all the required filtering to attenuate unwanted out-of-band blockers in adjacent and far-out frequency bands while maintaining very low insertion loss (IL) performance in the passband frequencies.

The SKY53761-11 is packaged in a small 2.8 × 2.6 × 0.7 mm (max), 21-lead surface-mount package. No external DC blocking capacitors are required on the RF paths as long as no DC voltage is applied.

The part can operate over the temperature range of -30 °C to +85 °C. A functional block diagram is shown in Figure 1.



Skyworks Green™ products are compliant with all applicable legislation and are halogen-free. For additional information, refer to *Skyworks Definition of Green™*, document number SQ04-0074.

Ordering Information

Part Number	Part Description	Evaluation Board Part Number
SKY53761-11	5G NR n77/78 Diversity Receive Module	SKY53761-11EK1

Copyright © 2023, Skyworks Solutions, Inc. All Rights Reserved.

Information in this document is provided in connection with Skyworks Solutions, Inc. ("Skyworks") products or services. These materials, including the information contained herein, are provided by Skyworks as a service to its customers and may be used for informational purposes only by the customer. Skyworks assumes no responsibility for errors or omissions in these materials or the information contained herein. Skyworks may change its documentation, products, services, specifications or product descriptions at any time, without notice. Skyworks makes no commitment to update the materials or information and shall have no responsibility whatsoever for conflicts, incompatibilities, or other difficulties arising from any future changes.

No license, whether express, implied, by estoppel or otherwise, is granted to any intellectual property rights by this document. Skyworks assumes no liability for any materials, products or information provided hereunder, including the sale, distribution, reproduction or use of Skyworks products, information or materials, except as may be provided in Skyworks' Terms and Conditions of Sale.

THE MATERIALS, PRODUCTS AND INFORMATION ARE PROVIDED "AS IS" WITHOUT WARRANTY OF ANY KIND, WHETHER EXPRESS, IMPLIED, STATUTORY, OR OTHERWISE, INCLUDING FITNESS FOR A PARTICULAR PURPOSE OR USE, MERCHANTABILITY, PERFORMANCE, QUALITY OR NON-INFRINGEMENT OF ANY INTELLECTUAL PROPERTY RIGHT; ALL SUCH WARRANTIES ARE HEREBY EXPRESSLY DISCLAIMED. SKYWORKS DOES NOT WARRANT THE ACCURACY OR COMPLETENESS OF THE INFORMATION, TEXT, GRAPHICS OR OTHER ITEMS CONTAINED WITHIN THESE MATERIALS. SKYWORKS SHALL NOT BE LIABLE FOR ANY DAMAGES, INCLUDING BUT NOT LIMITED TO ANY SPECIAL, INDIRECT, INCIDENTAL, STATUTORY, OR CONSEQUENTIAL DAMAGES, INCLUDING WITHOUT LIMITATION, LOST REVENUES OR LOST PROFITS THAT MAY RESULT FROM THE USE OF THE MATERIALS OR INFORMATION, WHETHER OR NOT THE RECIPIENT OF MATERIALS HAS BEEN ADVISED OF THE POSSIBILITY OF SUCH DAMAGE.

Skyworks products are not intended for use in medical, lifesaving or life-sustaining applications, or other equipment in which the failure of the Skyworks products could lead to personal injury, death, physical or environmental damage. Skyworks customers using or selling Skyworks products for use in such applications do so at their own risk and agree to fully indemnify Skyworks for any damages resulting from such improper use or sale.

Customers are responsible for their products and applications using Skyworks products, which may deviate from published specifications as a result of design defects, errors, or operation of products outside of published parameters or design specifications. Customers should include design and operating safeguards to minimize these and other risks. Skyworks assumes no liability for applications assistance, customer product design, or damage to any equipment resulting from the use of Skyworks products outside of Skyworks' published specifications or parameters.

Skyworks, the Skyworks symbol, Sky5®, SkyOne®, SkyBlue™, Skyworks Green™, ClockBuilder®, DSPLL®, ISModem®, ProSLIC®, SiPHY®, and RFeIC® are trademarks or registered trademarks of Skyworks Solutions, Inc. or its subsidiaries in the United States and other countries. Third-party brands and names are for identification purposes only and are the property of their respective owners. Additional information, including relevant terms and conditions, posted at [www.skyworksinc.com](http://www.skyworksinc.com), are incorporated by reference.