



**SKYWORKS®**

## **Enrich Vehicle Safety Systems with Skyworks Front-end Modules for V2X Applications**

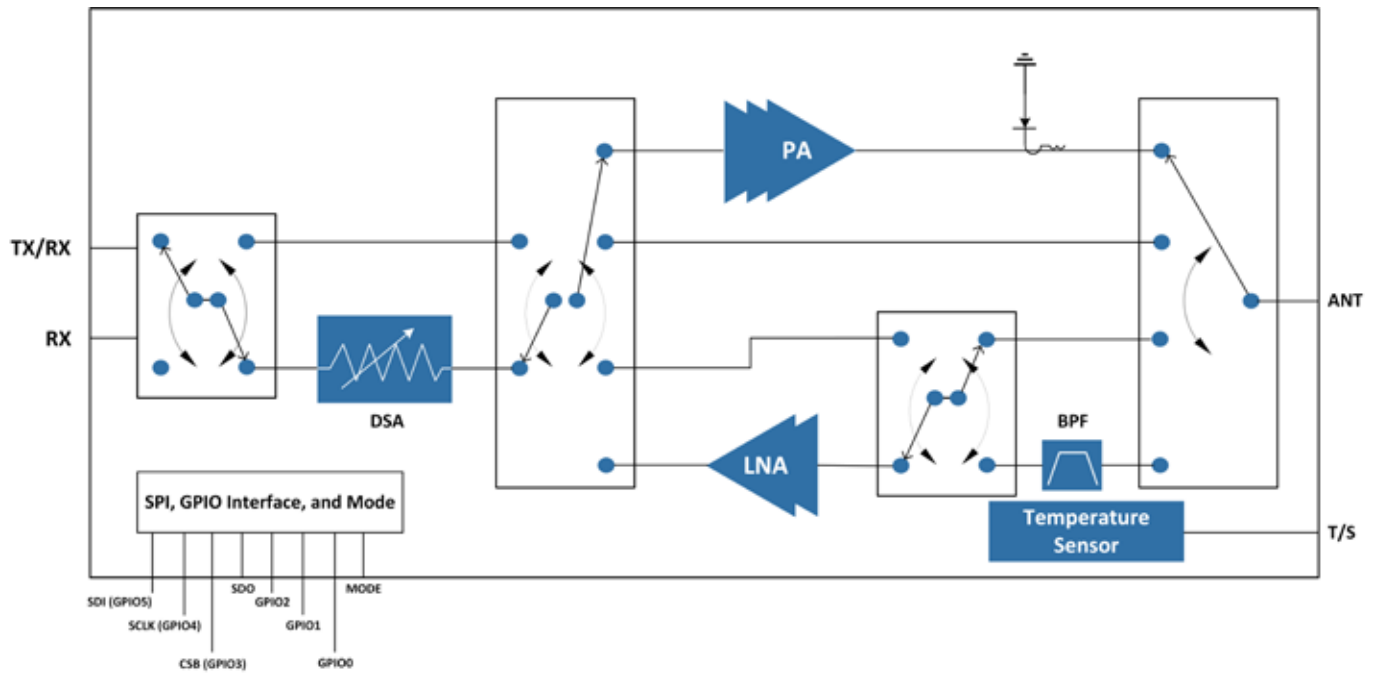
High power front-end modules (FEMs) designed for the 5.9 GHz Dedicated Short Range Communications (DSRC) Service band (802.11p) and cellular vehicle-to-everything (C-V2X) systems enable enhanced performance for autonomous vehicles, collision avoidance, adaptive cruise control, and other automotive safety systems.

Featuring multiple, integrated functions in compact surface-mount packages, Skyworks family of FEMs simplify design and conserve board space in DSRC and C-V2X (LTE and 5G NR) 3GPP systems.

[skyworksinc.com](http://skyworksinc.com)

# Featured Product

## SKY5A2105 RF Front-end Module



### Features

- High output power across temperature range:
  - C-V2X (LTE): +29 dBm typ.
  - C-V2X (5G NR): +26.5 dBm typ. (2.5 dB MPR)
  - 802.11p DSRC: +26 dBm typ.
- BAW Rx filter, temperature sensor, and logarithmic detector ensure stable performance
- High resolution attenuator (DSA) for wide TX/RX gain compensation
- AEC-Q104 Grade 2 rating (–40 °C to +105 °C)
- Reference designs simplify development



Part Number	Description	Package
SKY5A2105	5.9 GHz C-V2X and 802.11p DSRC high-power front-end module	24-pin, 3 x 5 mm LGA