



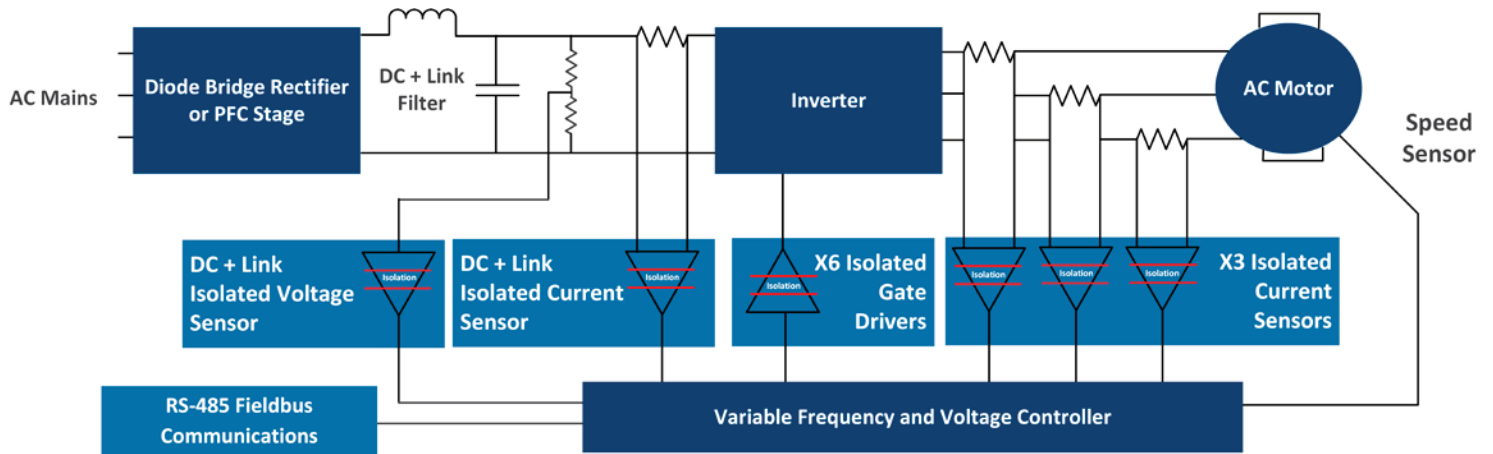
SKYWORKS®

Protect and Control Efficient and Reliable Industrial Motor Drives

Skyworks isolation portfolio enables smaller, more efficient, and more reliable motor control solutions. Our proprietary CMOS isolation technology delivers high performance, reduced variation with temperature and age, tighter part-to-part matching, and longer lifetimes compared to other isolation technologies. **Automotive Grade versions are available.**

skyworksinc.com

Featured Products



Si892x/3x/4x Isolated analog and Delta-Sigma Modulators (DSMs)

- Accurate voltage/current measurement with high bandwidth, enabling precise control loops
- Differential analog, single-ended analog, or Delta-Sigma modulation outputs

Si82xx Isolated gate drivers

- Ultra-fast propagation and up to 150 kV/ μ S common mode transient immunity
- Pro-VCD technology enables slew rate control, constant current output, and integrated Miller clamp without gate resistors
- Optimized options for MOSFETs, IGBTs, GaN, and SiC transistors

Si858x Isolated RS-485 transceivers

- Ideal for fieldbus systems such as Profibus or Modbus
- Signaling rates up to 10 Mbps with slew rate limited 1 Mbps option
- One to six bi- and uni-directional channels for advanced communication requirements