



SKYWORKS®

Enhance Connections with RF Front-end Modules for Wi-SUN® Applications

Skyworks SKY66122 front-end module (FEM) works with System on Chip (SoC) radio transceivers, such as the Silicon Labs EFR32FG25, to enhance connectivity for Wireless Smart Ubiquitous Network (Wi-SUN®) applications such as smart metering, smart lighting, and other IoT devices.

The SKY66122 FEM improves overall efficiency while increasing link budgets for improved packet success rate (PSR) and range with a high linear transmit output power amplifier (PA), a low noise amplifier (LNA) for the receiver, and integrated switches, harmonic filter, and matching network. A wide supply voltage range and less than 1 μ A sleep mode current make the SKY66122 ideal for battery powered or battery-standby equipment.

skyworksinc.com

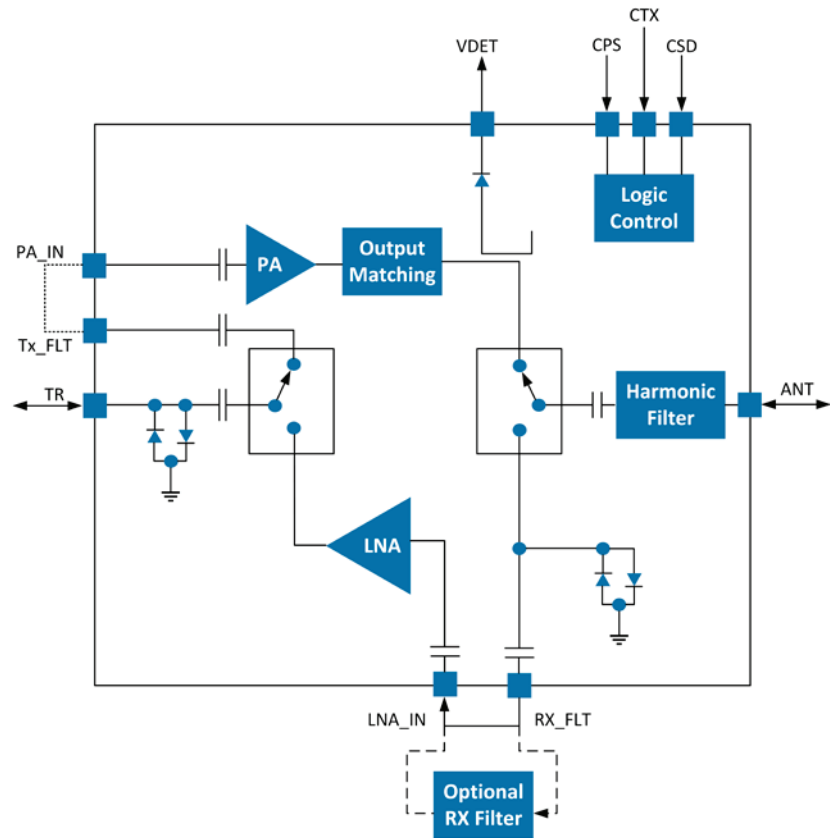
Featured Product

SKY66122-11

863 to 928 MHz Front-end Module for Wi-SUN® Applications

Features

- Integrated PA, LNA, T/R switch, and logic control
- Integrated limiters protect the LNA from high input signals
- Fully matched input and output
- Optional receive filter enhances interference rejection
- Supply voltage: 3.0 V to 5.0 V
- Sleep mode current: < 1 μ A



Part Number	Description	Package
SKY66122-11	Fully-integrated front-end module for Wi-SUN® applications	36-pin 6 x 6 x 0.9 mm MCM